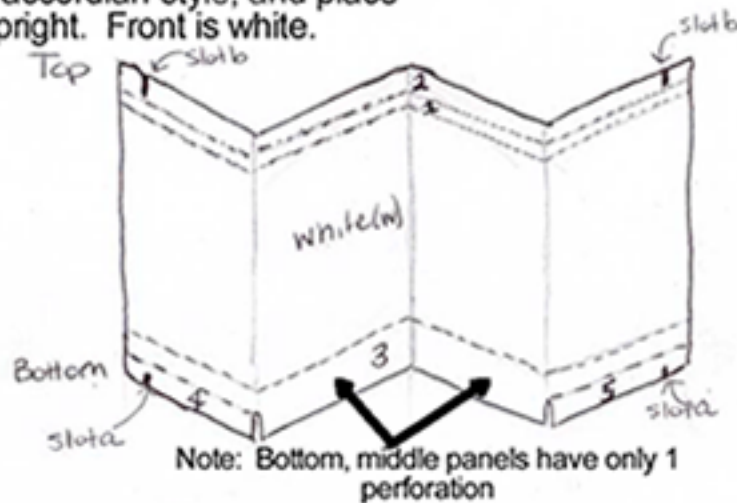


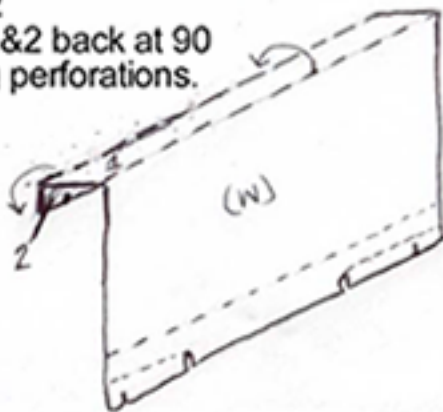
Draft Board Stand Assembly Instructions

Components
 1 stand
 2 supports
 Thumbtacks or poster mounts

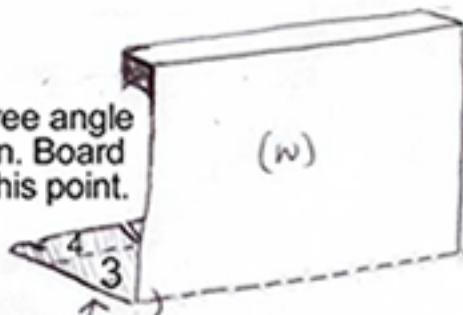
Step 1
 Unfold accordion-style, and place upright. Front is white.



Step 2
 While straight, fold 1&2 back at 90 degree angle along perforations.

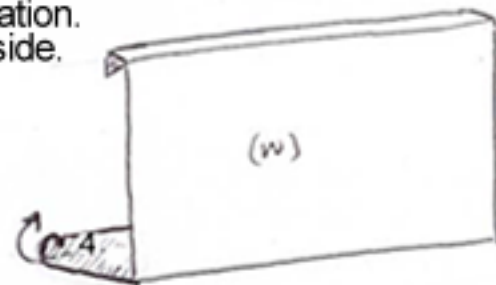


Step 3
 Fold back 3&4 at 90 degree angle along the long perforation. Board should be pretty rigid at this point.



Note: Stands are made from cardboard, not steel. Store carefully, and you will be able to use for several drafts.

Step 4
 Fold 4 up along perforation. Repeat on opposite side.



Step 5
 With white sides of legs facing outward, fold small tab at top of leg inward and insert notch B on the leg into notch b on the top of the stand. Slide notch A on the leg into notch a on the bottom of the stand. Repeat with other leg on opposite side.



Step 6
 Attach Bruno's Draft Board (poster) to the front of stand with supplied poster mounts or thumbtacks. If standing on a table, make sure it is wide enough to support both legs.

